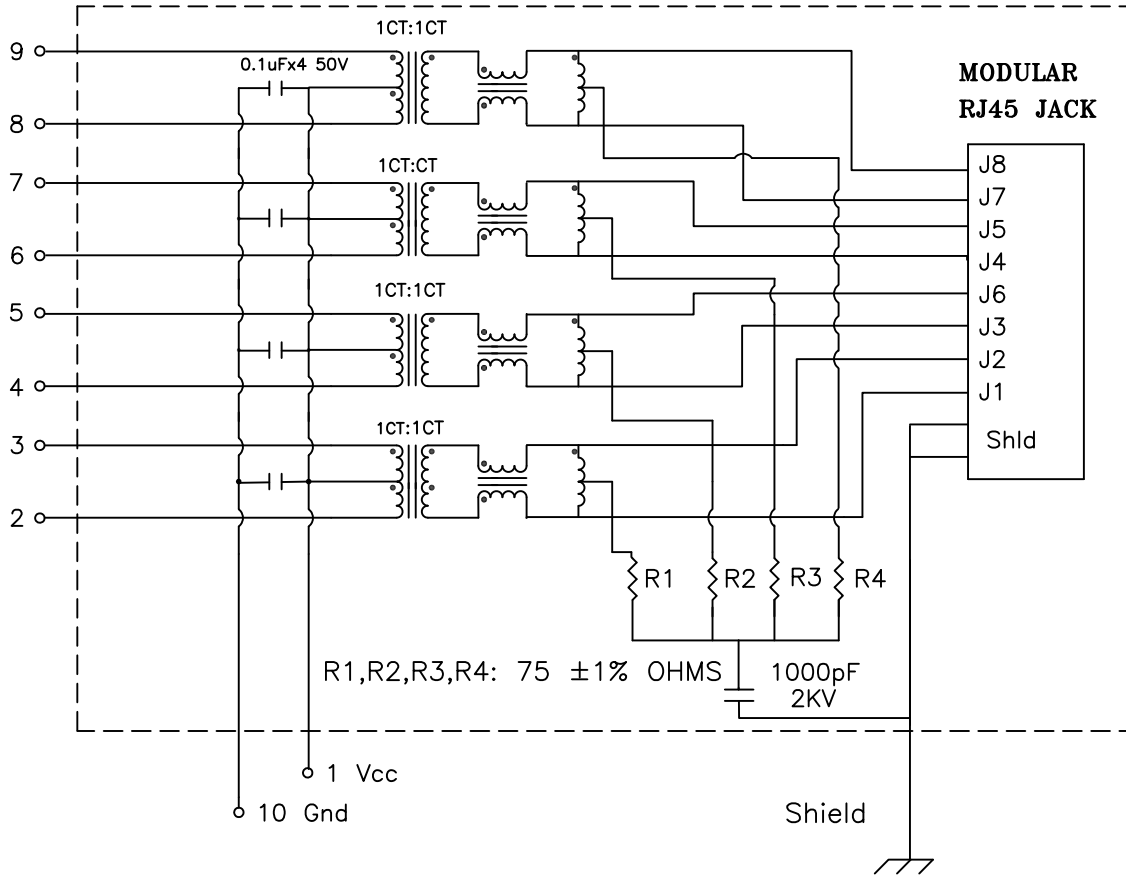


Schematic: (Single Port)

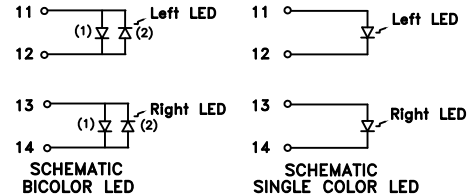


Electrical Specifications: @25°C

- ISOLATION: 1500Vrms
- TURNS RATIO: (PRI/SEC) 1CT:1CT ±2%
- OCL: 350uH MIN @100KHz 100mV 8mADC
- RISE TIME: 2.50ns Max.
- INSERTION LOSS: -1.1dB Max @0.5MHz-100MHz
- RETURN LOSS: -18dB Min @0.5MHz-40MHz
12-20LOG(f/80)dB Min @40.1Mhz-100MHz
- CROSSTALK: -35dB Min @0.5MHz-40MHz
33-20LOG(f/50)dB Min @40.1Mhz-100MHz
- COMMON MODE REJECTION: -30dB Min @0.5MHz-100MHz

Notes:

1. Solderability: Leads shall meet MIL-STD-202G, Method 208H for solderability.
2. Flammability: UL94V-0
3. ASTM oxygen index: > 28%
4. UL Recognized Component: File Number E165866
5. Operating Temperature Range: All listed parameters are to be within tolerance from -40°C to +85°C
6. Storage Temperature Range: -55°C to +125°C
7. Aqueous wash compatible
8. Electrical and mechanical specifications 100% tested
9. RoHS Compliant Component



Complete the Combo P/N as follows:

Replace 'x' & 'u' in the part number with one of the LED color letters:
 Y=Yellow 'x' = Left LED Color
 G=Green 'u' = Right LED Color
 A=Amber
 R=Red

C=Green(1)/Amber(2) Bicolor
 D=Amber(1)/Green(2) Bicolor
 M=Green(1)/Yellow(2) Bicolor
 N=Yellow(1)/Green(2) Bicolor
 P=Red(1)/Green(2) Bicolor
 Q=Green(1)/Red(2) Bicolor
 E=Red(1)/Yellow(2) Bicolor
 F=Yellow(1)/Red(2) Bicolor
 H=Amber(1)/Yellow(2) Bicolor

Single Color LED: Bi-Color LED:

XFMRs Inc
www.XFMRs.com

Title:
0.85" Tab-UP Single Gigabit COMBO

UNLESS OTHERWISE SPECIFIED
TOLERANCES:
.xxx ±0.010
Dimensions in Inch

P/N: XFGIG12S-CTGxu1-4MS		REV. A
DWN.	Yuan	Feb-26-14
CHK.	YK Liao	Feb-26-14
APP.	BW	Feb-26-14

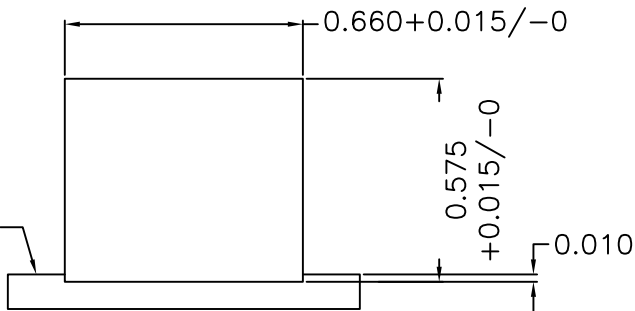
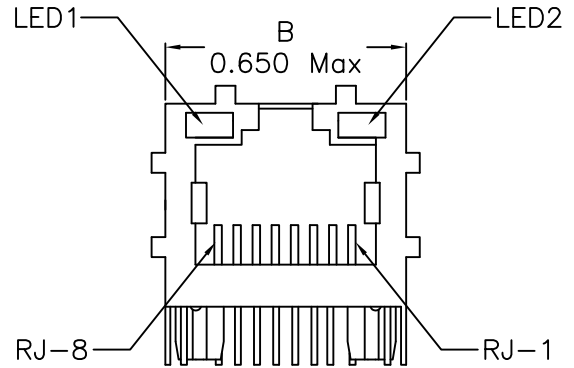
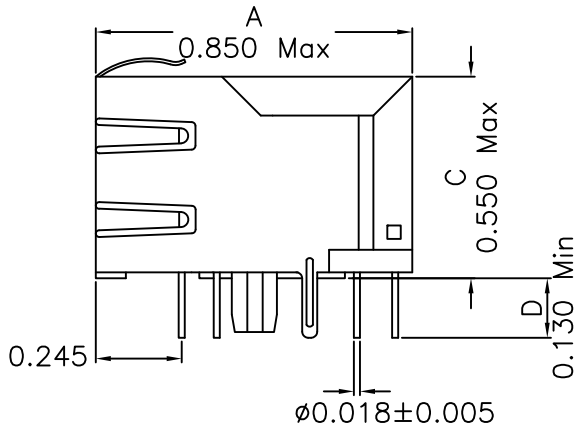
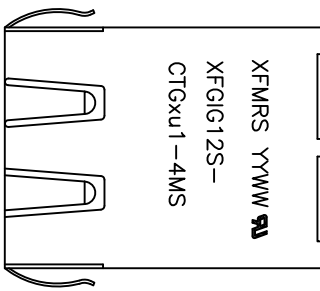
DOC REV: A/1

PROPRIETARY:

Document is the property of XFMRs Group & is not allowed to be duplicated without authorization.

SHEET 1 OF 2

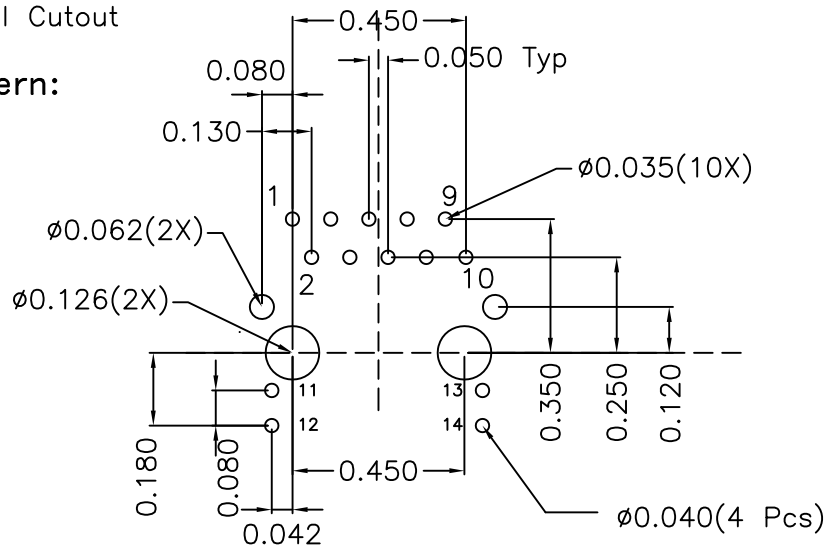
Mechanical Dimensions:



Suggested Panel Cutout

Mounting Pattern:

(COMP SIDE)



DOC REV: A/1

XFMRS Inc.
www.XFMRS.com

Title:
0.85" Tab-UP Single part

UNLESS OTHERWISE SPECIFIED
TOLERANCES:
.xxx ±0.010
Dimensions in Inch

P/N: XFGIG12S-CTGxu1-4MS

REV. A

DWN.

Yuan

Feb-26-14

CHK.

YK Liao

Feb-26-14

APP.

BW

Feb-26-14

SHEET 2 OF 2

PROPRIETARY:

Document is the property of XFMRS Group & is not allowed to be duplicated without authorization.